

Designed to control opening & closing of the cartridge valve.

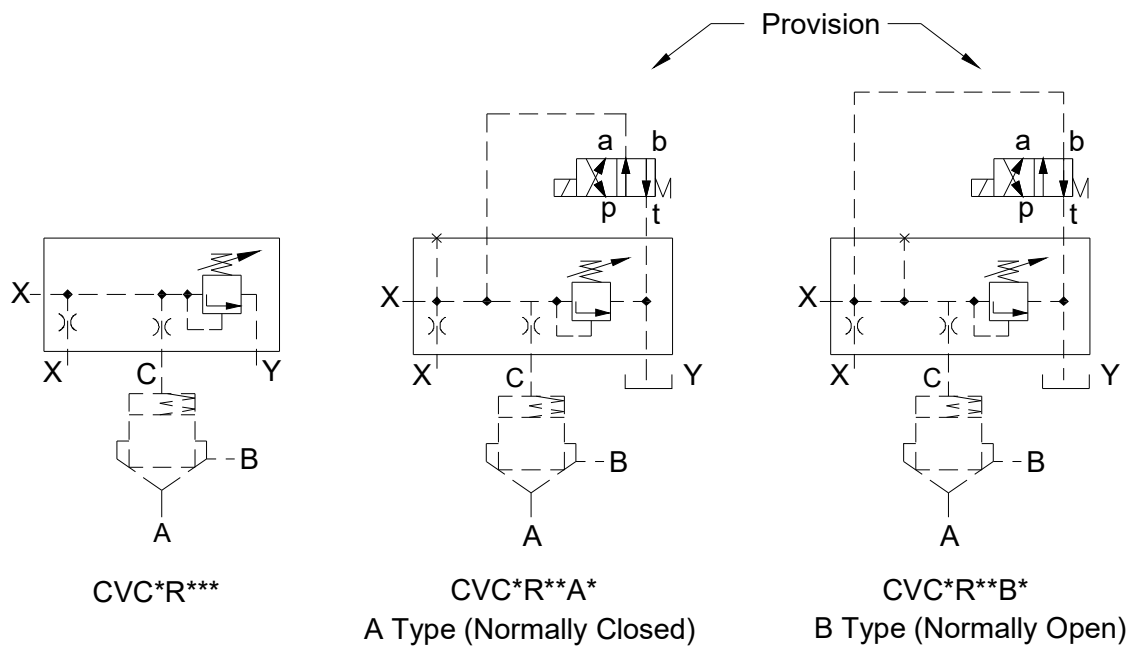
Provision for remote control.

Normally used for relief function.

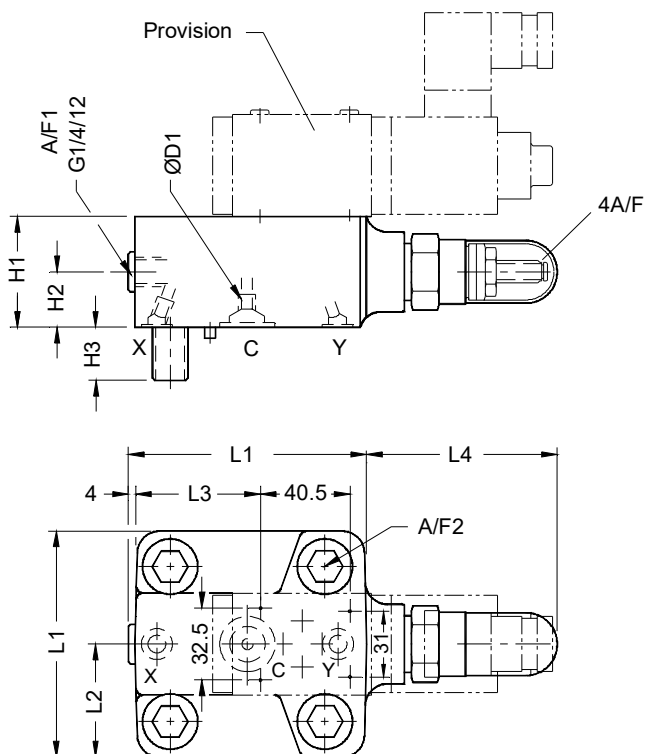
Provision for solenoid relieving function. (Normally open or normally closed)



Hydraulic Symbol



Dimensions in mm.

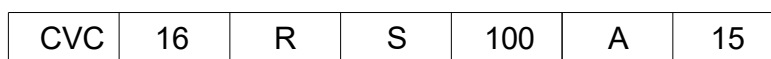


Size	16	25	32	40
L1	65	85	102	125
L2	32.5	42.5	51	62.5
L3	26.7	40	56.7	61
L4	85	81.5	83.5	66.5
H1	55	63	63	60
H2	25	28	25	35
H3	12	18	24	30
Ø D1	M6 (1)	M6 (1)	M6(1.2)	M8(1.2)
A/F1	6	6	6	6
A/F2	6	10	14	17

Size	Cover fixing S.H.C. screw (10.9)	Tightening torque da Nm.
16	M8, 40 long.	3.2
25	M12, 45 long.	11
32	M16, 55 long.	27
40	M20, 70 long.	52

Note :

Mounting interface as per ISO 7368.



Cartridge valve cover

Size 16, 25, 32 & 40.

With relief cartridge

Set screw	S
Hand Knob	H

Pressure rating bar
25, 50, 100, 200, 315 and 400.

Design code subject to change. Installation dimensions remain same for design code 10 thru 19.

A	Soln. normally closed.
B	Soln. normally opened.
Omit, if not required.	

Note : Solenoid (refer spool type) to be ordered seperately.

