

CHECK VALVE (C)

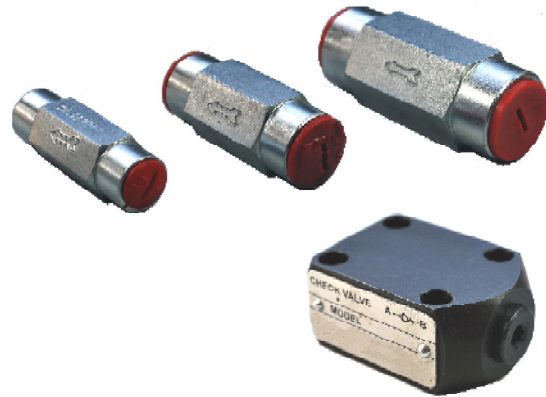
Description

Seat type valves.

Allow free flow from Port A to Port B and offer leakage free closure in opposite direction.

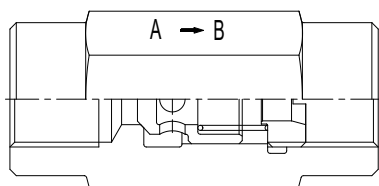
Two standard mounting styles :

- 1] Inline mounting C*T
- 2] Subplate mounting C*S

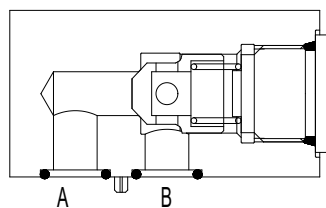


Section

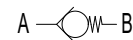
Line mounting valve



Subplate mounting valve

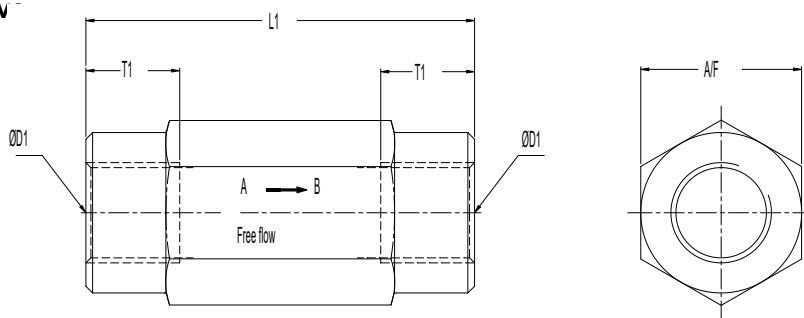


Hydraulic Symbol

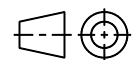


Unit Dimensions

Line mounting valve

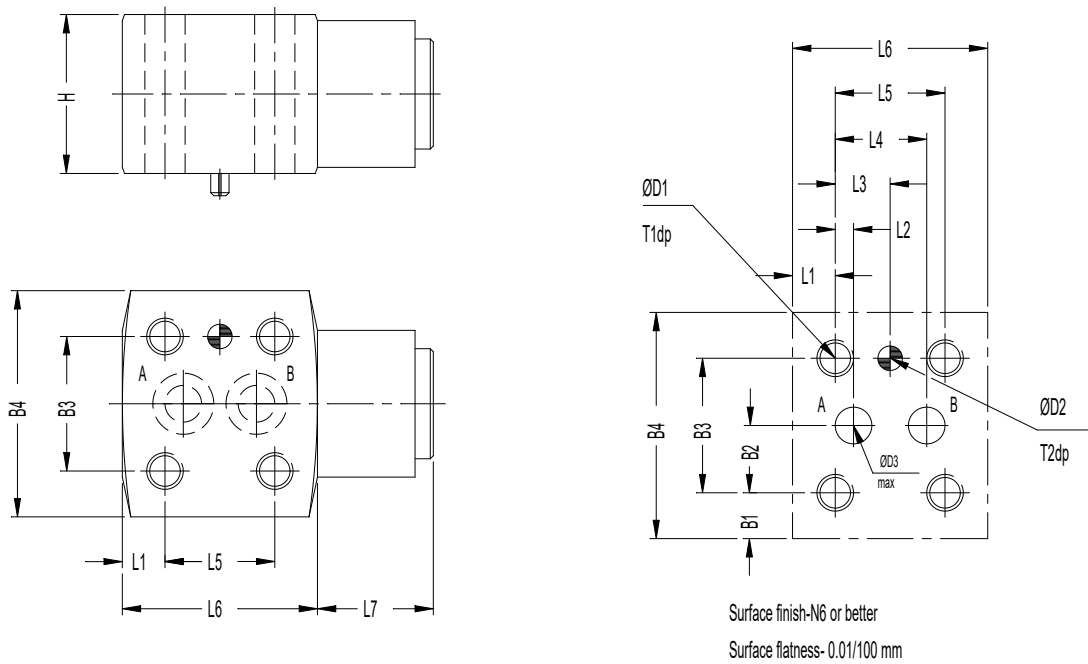


Dimensions in mm.



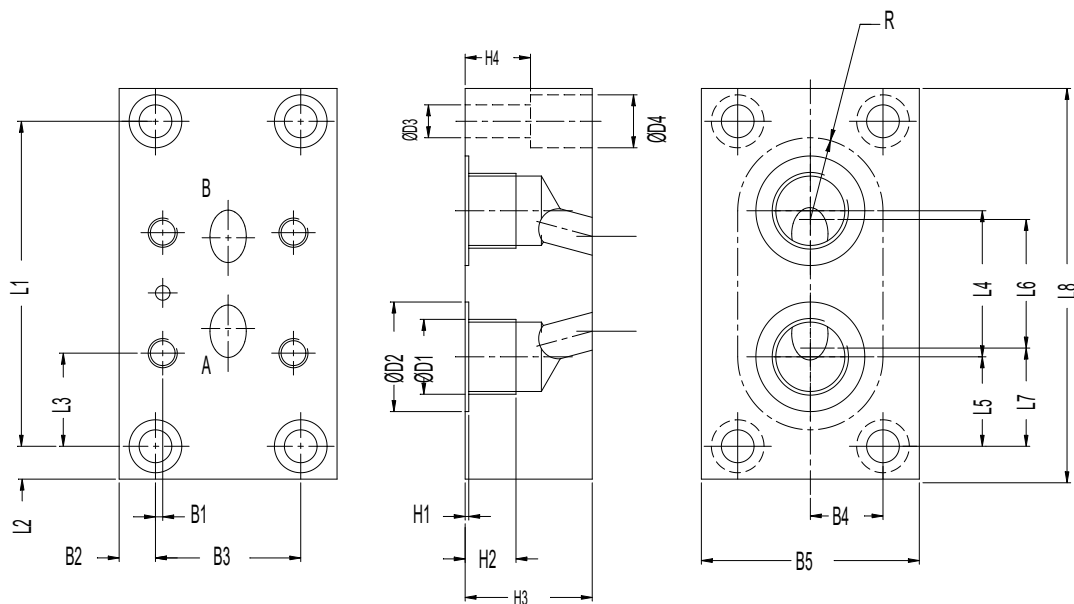
Size	ØD1	L1	T1	A/F
6	G1/4	58	12	19
10	G1/2	72	14	30
20	G1	98	18	46
30	G1 1/2	132	22	65

Subplate mounting valve



Size NG	L1	L2	L3	L4	L5	L6	L7	H	B1	B2	B3	B4	D1Ø	D2Ø	D3Ø	T1	T2
06	7	3	9	15	18	32	19	26	7.5	11	22	37	M6	4	6	12	5
10	9	6	16.5	27	33	51	23	38	9.5	18	36	55	M8	4	11	14	5
20	10	10	27.5	45	55	75	27	55	10	25	50	70	M10	7	22	19	8
30	15	20	42.5	65	85	123	34	82	15	37.5	75	105	M12	7	31	22	8

Subplate



Size NG	Model	Mass Kg.	B1	B2	B3	B4	B5	D1Ø	D2Ø	D3Ø	D4Ø	H1	H2	H3	H4
,06	NSC03G02	0.75	5	6	33	16.5	45	G1/4	22	6.6	10	1	12	30	20
	G3/8							25							
10	NSC05G04	1.4	2	10	40	20	50	G1/2	30	9	14.5	1	14	35	18
	G3/4							36							
20	NSC08G06	3.5	5	10	60	30	80	G3/4	36	11	17.5	1	16	42	25
	G1							44							
30	NSC09G10	8.5	7.5	10	90	45	110	G1 1/4	54	11	17.5	1	18	55	40
	G1 1/2							60	20						

Size NG	Model	L1	L2	L3	L4	L5	L6	L7	L8	R	Valve fixing screws S.H.C.S.	Tightening torque in Nm
,06	NSC03G02	62	6	22	27	17.5	27	17.5	74	16	M6 x 35 - 4 Nos.	15
	30				19	30	19					
10	NSC05G04	89	9	28	40	24.5	40	24.5	107	20	M8 x 50 - 4 Nos.	35
	45				22	45	22					
20	NSC08G06	120	10	32.5	50	35	50	35	140	30	M10 x 70 - 4 Nos.	70
	60				30	60	30					
30	NSC09G10	140	20	47.5	70	35	70	35	180	40	M12 x 100 - 4 Nos.	115
	80				30	80	30					

Technical Specifications

Construction	Seat type.
Mounting	Inline or subplate mounting.
Interface	Factory standard.
Mounting position	Optional.
Flow direction	Free flow from A to B.
Operating pressure	700 bar max. for size 06. 350 bar for size 10, 20 & 30.
Hydraulic medium	Mineral oil.
Viscosity range	10 cSt to 380 cSt.
Fluid temperature range	-20 °C to +70 °C.
Fluid cleanliness requirement	As per ISO code 16/13 or better.

Nominal flow handling capacity

Size	6	10	20	30
Flow (l/min)	10	30	120	280

Cracking pressure available

0.5, 1.5, 3 or 5 bar.

Mass in kg. (Inline mounting)

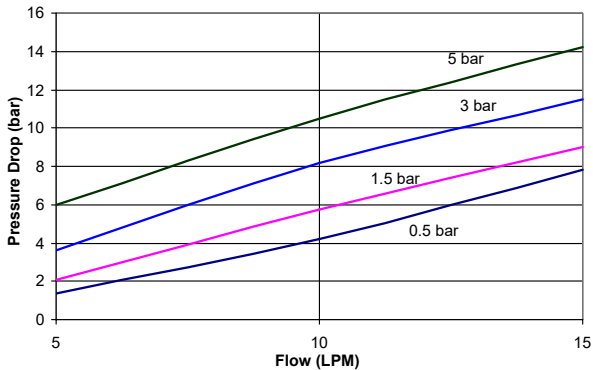
Size	6	10	20	30
Mass kg.	0.1	0.31	0.95	2.3

(Subplate Mounting)

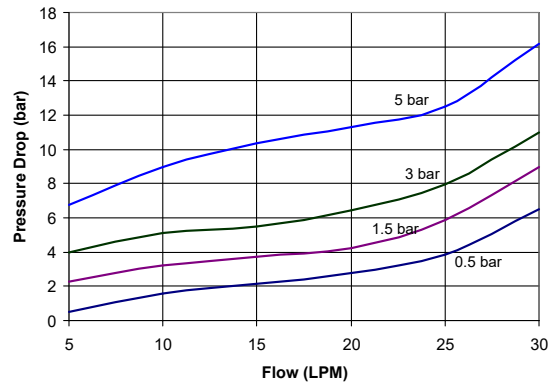
Size	06	10	20	30
Mass kg.	0.27	1	2.8	8.15

Performance curve Oil used : ISO VG 46. Test Temp 40 deg. C

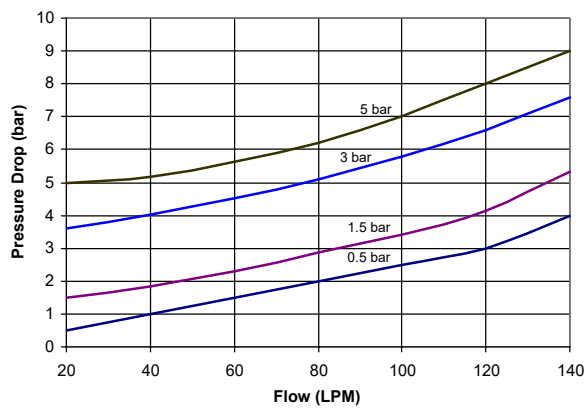
Check Valve C06S*-03



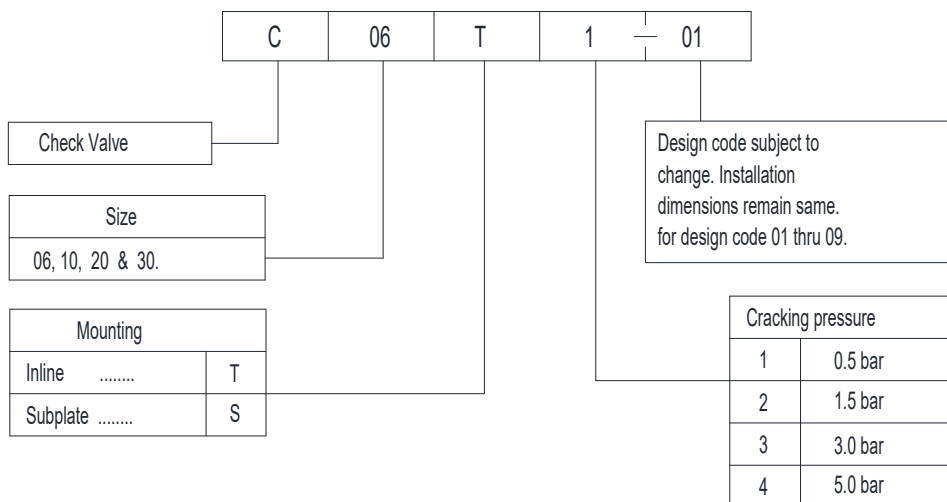
Check Valve C10S*-03



Check Valve C20S*-03



Ordering Code



All rights reserved.
Subject to revision.

Note : Subplate type valves are available only in Size 06, 10, 20 and 30.
Subplate to be ordered separately.