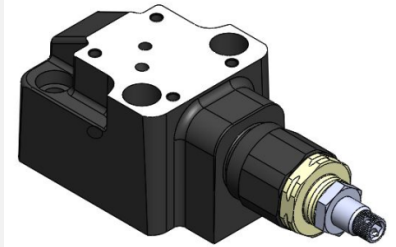
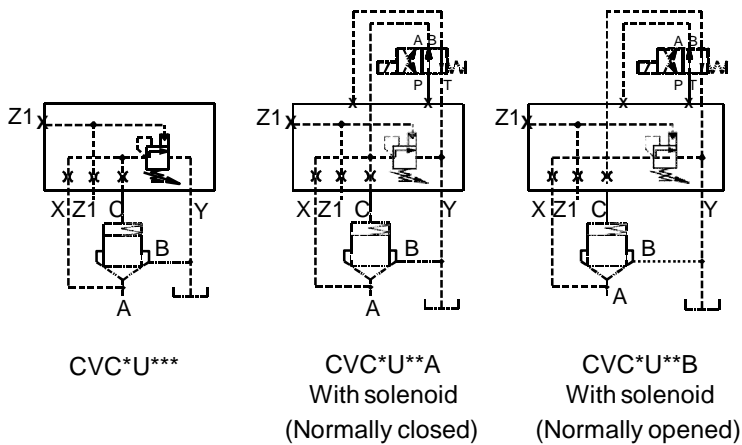


Unloader Cover with Solenoid Unloading

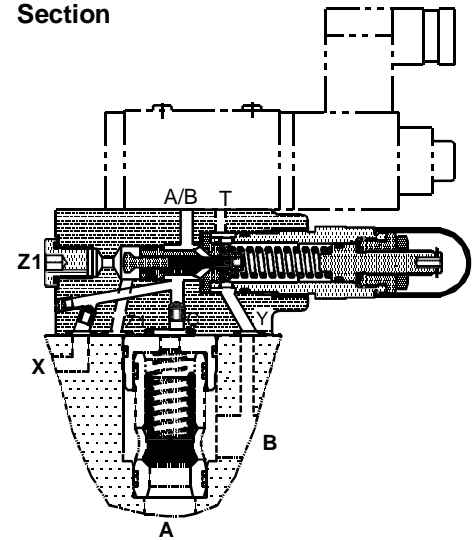
Model: CVC-**- U
Pressure : 315 bar



Hydraulic symbol

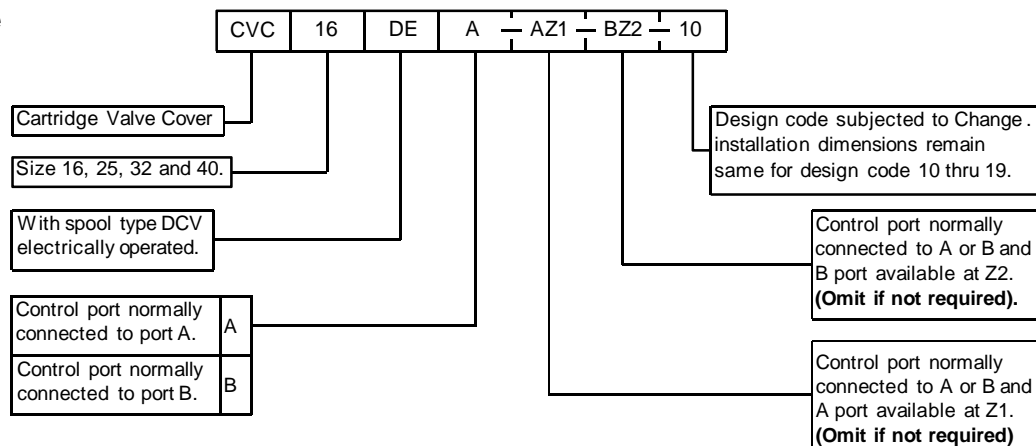


Section

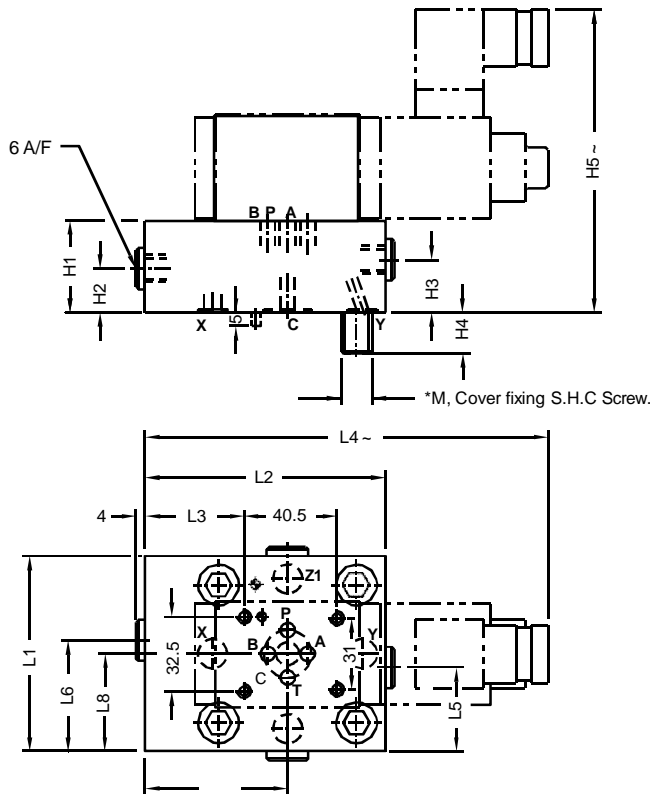


Ordering code

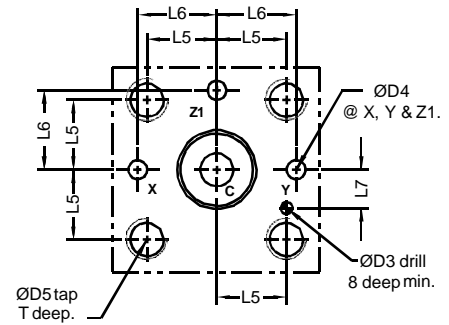
Ordering code



Installation Dimensions:



Cover mounting interface as per ISO 7368.



Notes:

1. Cover fixing S.H.C Screws are **OUT OF SCOPE OF SUPPLY.**
2. Mounting interface for Soln. D.C.V as per ISO 4401-03-02.

Size	Mass Kg. approx	L1	L2	L3	L4	L5	L6	L7	L8	L9	L10	L11	L12	ØD1	ØD2 max	ØD3	t1	t2	H1	H2	H3	H4	H5	*M. 4 nos. Cover fixing S.H.C. Screw (Class 12.9)	Tightening Torque.
16	2.0	65	80	14.5	137	27	37.5	47.5	32.5	23	25	23	10.5	4	4	M8	14	10	50	13	20	12	155	M8 x 40 Long	39 Nm
25	2.2	85	85	23.5	146	36.5	48.5	42.5	42.5	29	33	29	16	6	6	M12	20	10	40	18	18	18	145	M12 x 45 Long	135 Nm
32	4.1	102	102	32	154	44	56	51	51	35	41	35	17	6	8	M16	26	10	50	17	17	24	155	M16 x 55 Long	330 Nm
40	7.4	125	125	43.5	166	56.5	69.5	62.5	62.5	42.5	50	42.5	23	6	10	M20	33	10	60	30	30	30	165	M20 x 70 Long	650 Nm