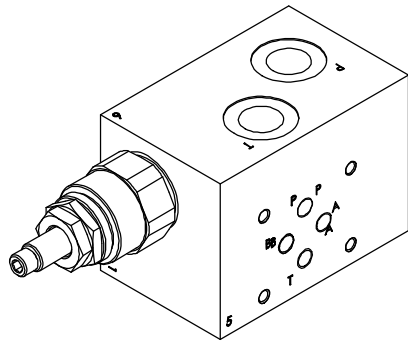
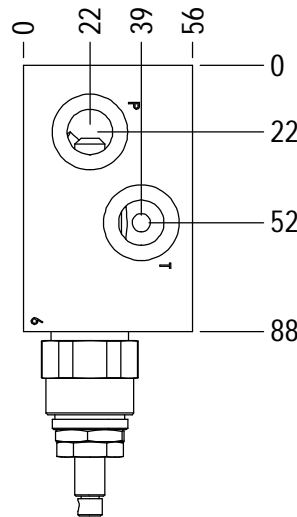
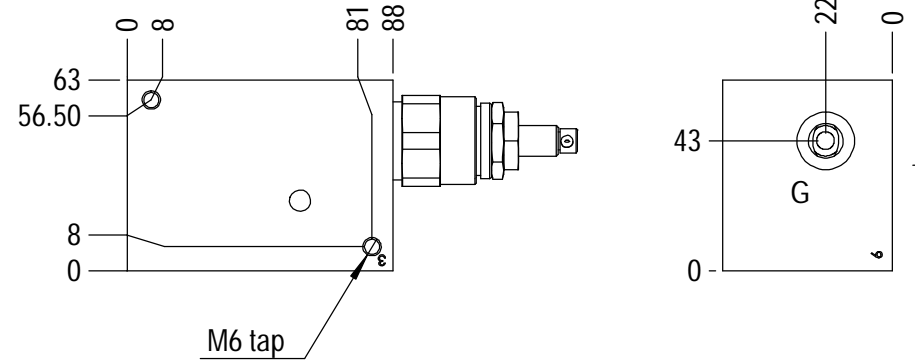


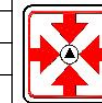
Model	Size	Entry Type	Adjustment	Pressure	Design Code
MNV	06	B	S	315	01
MNV	06 10	S: Side Entry (Std) B: Bottom Entry	S: Set Screw H: For Hand knob	315: 315 bar 200: 200 bar 100: 100 bar	01



REV	DATE	DESCRIPTION

Import Note: THIS DOCUMENT CONTAINS CONFIDENTIAL AND PROPRIETARY INFORMATION THAT CANNOT BE REPRODUCED OR DIVULGED, IN WHOLE OR IN PART, OR NOT TO BE SHARED WITH ANY THIRD PARTY WITHOUT WRITTEN AUTHORIZATION FROM 'THM Fluid Technik Pvt. Ltd.'

First Angle Projection		MATERIAL: ---
NAME		
DRAWN		
CHK'D		
APPV'D		
DATE		
UNLESS OTHERWISE SPECIFIED (DIMENSIONS ARE IN MILLIMETERS): TOLERANCES ARE SURFACE FINISH: LINEAR: ANGULAR:		DWG NO. MNV06- Side Entry
WEIGHT:		SCALE:1:2
		SHEET 1 OF 1



THM Fluid Technik Pvt. Ltd.
BELGAUM 590 008, INDIA

A4