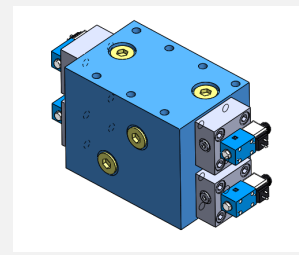


Poppet Type Directional Control Valves

Model: 4WEHP- Series **

Pressure : 350 bar (working ports, T-line: 60 bar)

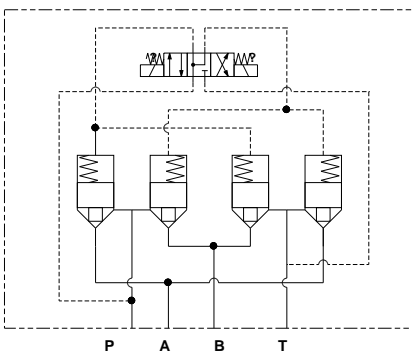
Flow : As per size



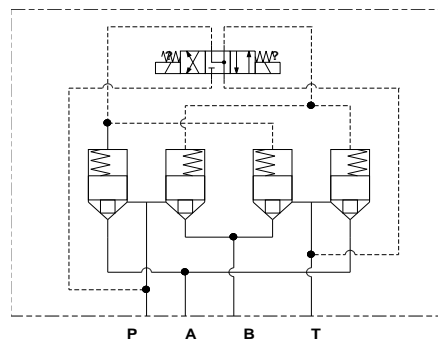
Different Circuits

Model Code: 4WEHP: ** - Spool Type (See below)

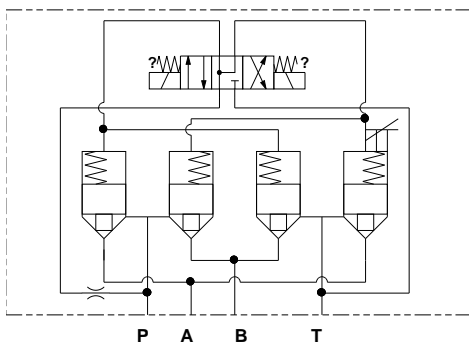
- 4x3 Logic with Single Pilot Solenoid : E Type



- 4x3 Logic with Single Pilot Solenoid : J Type



- With cartridge stroke limiter : EX Type



- With 3x2 Solenoid independent logic control : X4 Type

